

ARCHITECTURAL & STRUCTURAL ENGINEERING

PARS

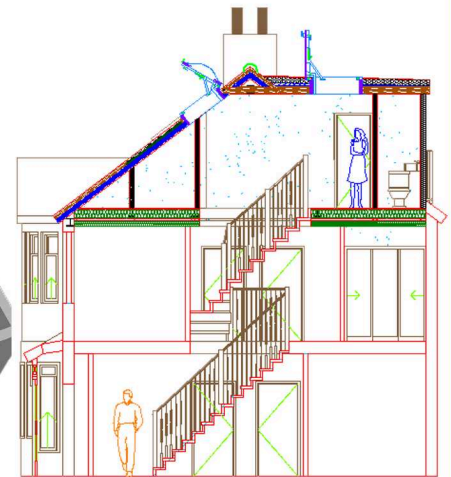
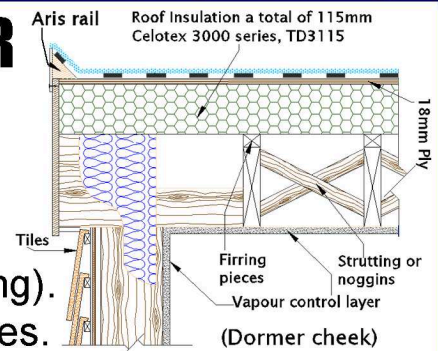
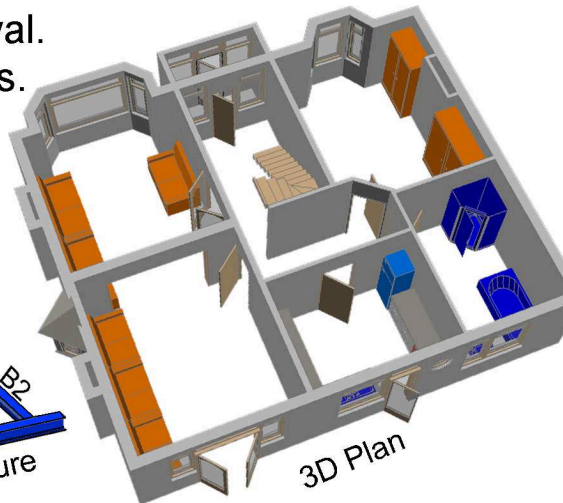
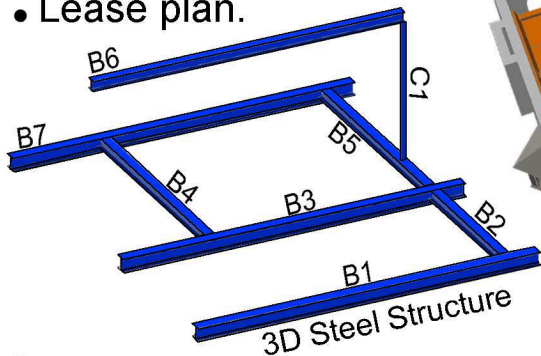
Engineering Ltd.

Established: 1996

Consulting Architectural, Structural and Environmental Engineering

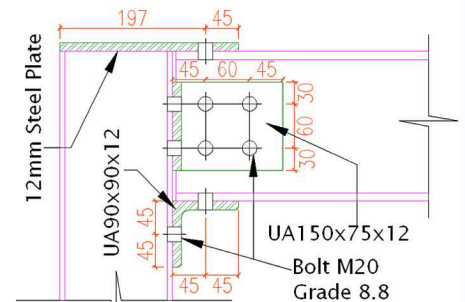
ALL YOU NEED FOR BUILDING WORKS UNDER SUPERVISION OF QUALIFIED ENGINEERS

- Planning permission, council submission and approval.
- Design and detailing for new house or apartment.
- Building regulation and detailed drawing (Working drawing).
- Structural report (engineer report) for mortgage companies.
- Drainage and Soakaway design (Water & Environmental Engineering).
- Project Management (work schedule, project status report & bill of Quantity).
- Interior Design, Refurbishments and Renovations.
- Cost effective structural calculations.
- Load bearing wall removal.
- All Type of building works.
- Party wall surveying.
- Lease plan.



Saving you money on your building projects. How ?

By offering you high quality architectural services and safe structural-members in 3D environment, our drawings come with precise technical detailing and high quality graphics. Our teamwork can save you up to 10% of the entire cost of a project by reducing delays and avoiding excess structural elements; crucial to a successful building project. Structural detailing, building regulation and build-ability of a project cannot be overemphasized in the design stages. Most failures, mistakes and over budgets (unnecessary costs) are due to poor drawings and detailing rather than underestimating the cost of the project.



Office Suite (1-4), 72-74 Notting Hill Gate, London, W11 3HT

Web: www.parseng.com

E-mail: info@parseng.com

Tel: 0207 243 6000

Fax: 0207 243 8000